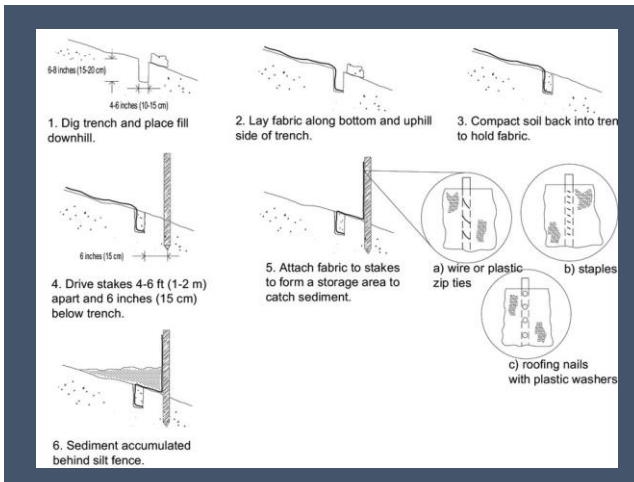


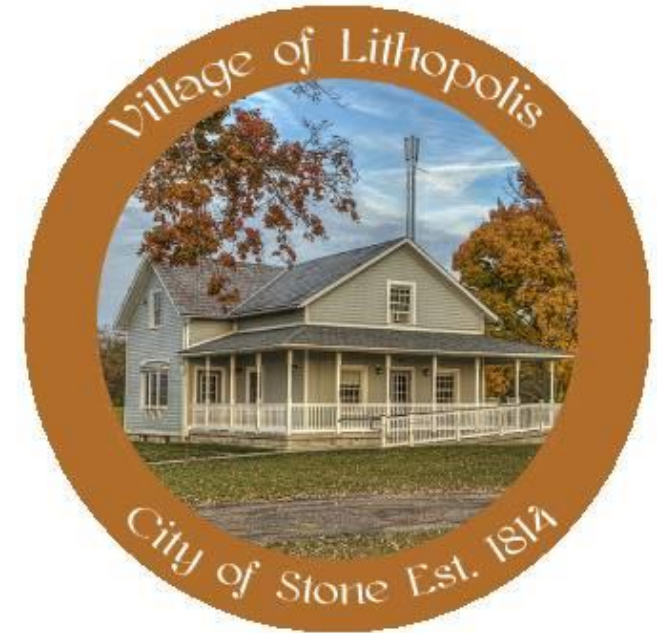
# A SILT FENCE MUST BE INSTALLED AT ALL CONSTRUCTION SITES.

## Proper Installation:

- Install before land is disturbed
- Install on down slope side of the site parallel to the contour of the land
- Stake posts on down hill side
- Extend ends up slope enough to allow water to pond behind fence
- Turn ends of fence uphill
- Bury 8 inches of fabric in trench
- Leave no gaps. Overlap sections of the silt fence or twist ends silt fence
- Inspect and repair once a week and after every rain.
- Remove sediment if deposits reach half the fence height
- Maintain until lawn is established



A copy of The Village of Lithopolis Drainage, Erosion, and Sediment Control Regulations is available on The Village of Lithopolis website or by contacting the Village Administrator at [villageadministrator@lithopolis.org](mailto:villageadministrator@lithopolis.org)



**11820 Lithopolis Road  
Lithopolis, OH 43136  
Office: 614-837-2031  
Fax: 614-837-2722  
[www.lithopolis.org](http://www.lithopolis.org)**

**Stormwater  
Pollution Prevention  
for small residential  
construction sites**

**Village of Lithopolis  
Est. 1814**

# 10 Steps to Stormwater Pollution Prevention on Small Residential Construction Sites

Stormwater management on small residential construction sites need not be complicated.

## 1 Protect Any Areas Reserved for Vegetation or Infiltration and Preserve Existing Trees

If you will be installing infiltration-based features such as rain gardens or bioswales, make sure these areas are designated as off limits to avoid compaction.

Save time and money by preserving existing mature trees during construction. Preserving mature trees minimizes the amount of soil that needs to be stabilized once construction is complete, and minimizes the amount of runoff during and after construction activity.

## 2 Stockpile Your Soil

EPA's CGP requires operators to preserve native topsoil on site unless infeasible and protect all soil storage piles from run-on and runoff. For smaller stockpiles, covering the entire pile with a tarp may be sufficient.

## 3 Protect Construction Materials from Run-On and Runoff

At the end of every workday and during precipitation events, provide cover for materials that could leach pollutants.

## 4 Designate Waste Disposal Areas

Clearly identify separate waste disposal areas on site for hazardous waste, construction waste, and domestic waste by designating with signage, and protect from run-on and runoff.

## 5 Install Perimeter Controls on Downhill Lot Line

Install perimeter controls such as sediment filter logs or silt fences around the downhill boundaries of your site.

## 6 Install Inlet Controls

Sediment control logs, gravel barriers, and sand or rock bags are options for effective inlet controls. Make sure to remove accumulated sediment whenever it has reached halfway up the control.

## 7 Install a Concrete/Stucco Washout Basin

Designate a leak-proof basin lined with plastic for washing out used concrete and stucco containers. Never wash excess stucco or concrete residue down a storm drain or into a stream!

## 8 Maintain a Stabilized Exit Pad

Minimize sediment track-out from vehicles exiting your site by maintaining an exit pad made of crushed rock spread over geotextile fabric. If sediment track-out occurs, remove deposited sediment by the end of the same work day.

## 9 Post Your NOI and Keep an Up-to-Date Copy of Your SWPPP on Site

Post a sign or other notice of your permit coverage, including your NPDES tracking number and site contact information. Also, keep a copy of your complete and up-to-date SWPPP on site and easily accessible, including site maps showing where each BMP is or will be installed.

## 10 Site Stabilization

Immediately stabilize exposed portions of the site whenever construction work will stop for 14 or more days, even if work is only temporarily stopped. Remember, final stabilization is required prior to terminating permit coverage.

